

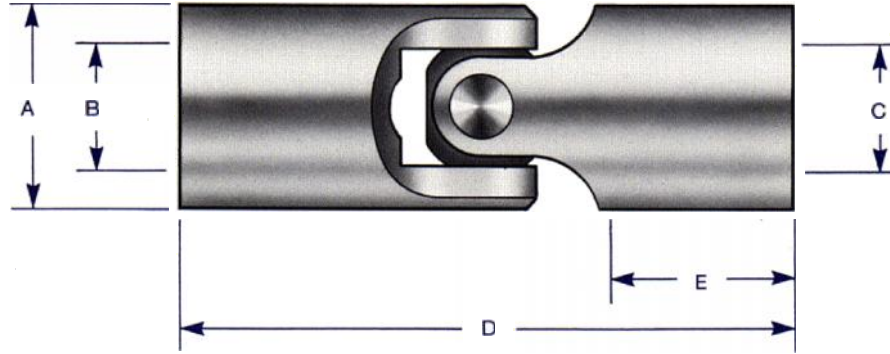


BFG Marine, Inc.

Tel: (631) 586-5500, Fax: (631) 586-5501, Email: sales@bfgmarine.com

## Universal Joints

BFG's universal joints are made to meet MIL-20625A and are designed to operate at a maximum angle of 30°



Part Number			A	B	C	D	E
Steel	Stainless	Bronze	O.D.	Bore	Bore	Length	Minimum
VCU-1130	VCU-1230	VCU-1330	1.00	.50	.50	3.38	1.06
VCU-1131	VCU-1231	VCU-1331	1.00	.62	.50	3.38	1.06
VCU-1132	VCU-1232	VCU-1332	1.00	.62	.62	3.38	1.06
VCU-1135	VCU-1235	VCU-1335	1.12	.62	.62	3.00	.88
VCU-1140	VCU-1240	VCU-1340	1.25	.50	.50	3.75	1.12
VCU-1141	VCU-1241	VCU-1341	1.25	.62	.62	3.75	1.12
VCU-1142	VCU-1242	VCU-1342	1.25	.75	.75	3.75	1.12
VCU-1143	VCU-1243	VCU-1343	1.25	.75	.62	3.75	1.12
VCU-1144	VCU-1244	VCU-1344	1.25	.75	.50	3.75	1.12
VCU-1145	VCU-1245	VCU-1345	1.50	.88	.88	4.25	1.38
VCU-1150	VCU-1250	VCU-1350	1.75	.75	.75	5.25	1.50
VCU-1151	VCU-1251	VCU-1351	1.75	1.00	1.00	5.25	1.50
VCU-1152	VCU-1252	VCU-1352	1.75	1.25	1.25	5.25	1.50
VCU-1153	VCU-1253	VCU-1353	1.75	1.25	1.00	5.25	1.50
VCU-1154	VCU-1254	VCU-1354	1.75	1.00	.75	5.25	1.50
VCU-1155	VCU-1255	VCU-1355	2.00	1.25	1.25	5.44	1.59
VCU-1156	VCU-1256	VCU-1356	2.00	1.00	1.00	5.44	1.59
VCU-1157	VCU-1257	VCU-1357	2.00	1.25	1.00	5.44	1.59
VCU-1160	VCU-1260	VCU-1360	2.50	1.25	1.25	7.00	2.38
VCU-1161	VCU-1261	VCU-1361	2.50	1.50	1.50	7.00	2.38
VCU-1170	VCU-1270	VCU-1370	3.00	1.75	1.75	9.00	2.75
VCU-1171	VCU-1271	VCU-1371	3.00	2.00	2.00	9.00	2.75

Don't see what you need? Contact us with your special requirements. We may be able to help.