

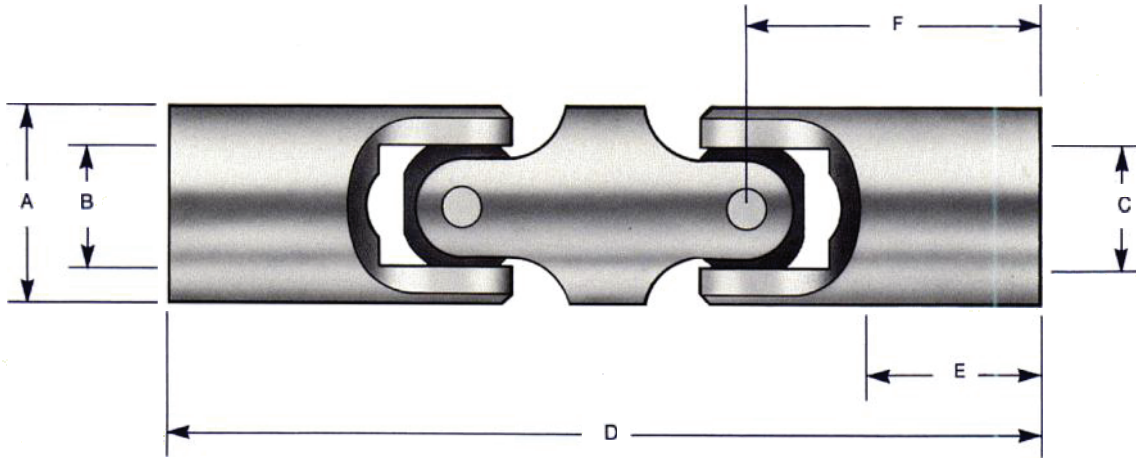


BFG Marine, Inc.

Tel: (631) 586-5500, Fax: (631) 586-5501, Email: sales@bfgmarine.com

Double Universal Joints

BFG's double universal joints are made to meet MIL-20625A and are designed to operate at a maximum angle of 30° per joint (60° total)



Part Number			A	B	C	D	E	F
Steel	Stainless	Bronze	O.D.	Bore	Bore	Length	Minimum	Length
VCU-1430	VCU-1530	VCU-1630	1.00	.50	.50	4.88	1.06	1.687
VCU-1431	VCU-1531	VCU-1631	1.00	.62	.50	4.88	1.06	1.687
VCU-1432	VCU-1532	VCU-1632	1.00	.62	.62	4.88	1.06	1.687
VCU-1435	VCU-1535	VCU-1635	1.12	.62	.62	4.62	.88	1.500
VCU-1440	VCU-1540	VCU-1640	1.25	.50	.50	5.62	1.12	1.875
VCU-1441	VCU-1541	VCU-1641	1.25	.62	.62	5.62	1.12	1.875
VCU-1442	VCU-1542	VCU-1642	1.25	.75	.75	5.62	1.12	1.875
VCU-1443	VCU-1543	VCU-1643	1.25	.75	.62	5.62	1.12	1.875
VCU-1444	VCU-1544	VCU-1644	1.25	.75	.50	5.62	1.12	1.875
VCU-1445	VCU-1545	VCU-1645	1.50	.88	.88	6.81	1.38	2.250
VCU-1450	VCU-1550	VCU-1650	1.75	.75	.75	8.00	1.50	2.625
VCU-1451	VCU-1551	VCU-1651	1.75	1.00	1.00	8.00	1.50	2.625
VCU-1452	VCU-1552	VCU-1652	1.75	1.25	1.25	8.00	1.50	2.625
VCU-1453	VCU-1553	VCU-1653	1.75	1.25	1.00	8.00	1.50	2.625
VCU-1454	VCU-1554	VCU-1654	1.75	1.00	.75	8.00	1.50	2.625
VCU-1455	VCU-1555	VCU-1655	2.00	1.25	1.25	9.19	1.59	3.000
VCU-1456	VCU-1556	VCU-1656	2.00	1.00	1.00	9.19	1.59	3.000
VCU-1457	VCU-1557	VCU-1657	2.00	1.25	1.00	9.19	1.59	3.000
VCU-1460	VCU-1560	VCU-1660	2.50	1.25	1.25	11.06	2.38	3.500
VCU-1461	VCU-1561	VCU-1661	2.50	1.50	1.50	11.06	2.38	3.500
VCU-1470	VCU-1570	VCU-1670	3.00	1.75	1.75	18.25	2.75	5.750
VCU-1471	VCU-1571	VCU-1671	3.00	2.00	2.00	18.25	2.75	5.750

Don't see what you need? Contact us with your special requirements. We may be able to help.